

KTAtaris

Metering Solution

CL760

THREE PHASE MULTI-FUNCTIONAL ELECTRICITY METER



CL760

CL760 is latest three phase multi-functional electricity meter designed for high accuracy and easy use, with tamper detection features and IEC62056-21 compliant communication ports.

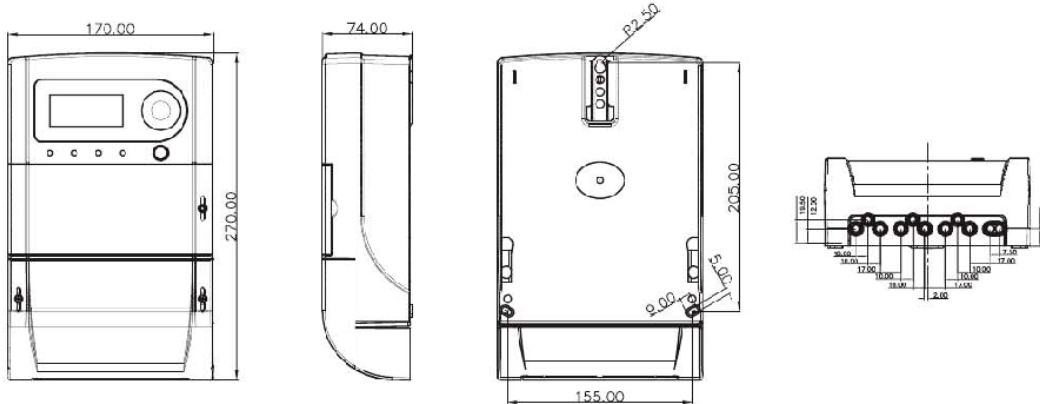
CL760 is used in a wide range of applications.

Standard features

- Energy Measurement
Measure total, forward, reverse active energy, reactive energy, and measure energy of 4-quadrant.
- Maximum Demand Measurement
- Multi-tariff
- Real-time Measurement
- Billing
- Event Log
- Tamper Detection
 - Power on/off
 - Terminal cover opening
 - Main cover opening
 - Reverse connection
 - Loss of phase
- Load Profile
- Optical, RS485 communication

CL760

Three Phase Electronic Energy Meter



Main Technical Parameter

Item	Parameter
Accuracy Class	1.0(Active); 2.0 (Reactive)
Rate Voltage	3×240/415V
Nominal(Max) Current	CT connected: 3×5 (6) A
Reference frequency	50Hz/60Hz
Working voltage range	0.70Un~1.30Un
Start current	0.001Ib/0.004Ib
V circuit power loss	≤1.5W 6VA
I circuit power loss	≤0.4VA
Display	LCD
Working temperature	-25~+65 ℃
Limit temperature	-40~+70 ℃
Storage and transportation temperature	-40~+70 ℃
Average relative humidity	≤95%
protection rate	IP54
Designed life span	>15 years

Sole Distributor:

KINTA TERANG Sdn Bhd

5, Jln Pemberita U1/19, Temasya Industri Park,
Glenmarie, 40150 Shah Alam, Selangor.

Tel: +603 5569 3241/4446

Fax: +603 5569 2731

Email: etcheah.kintatayang@gmail.com